

HOT & COLD Anti-Siphon Freezeproof Wall Tap



Horizontal Mixer



Vertical Mixer

HORIZONTAL TAP

FIGURE 1

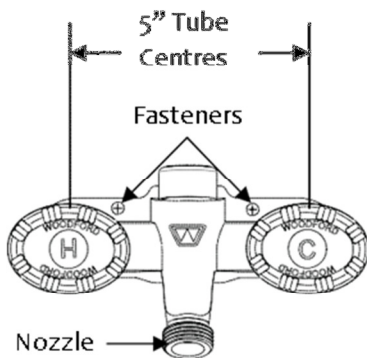
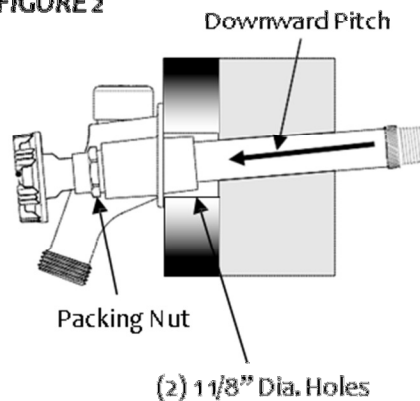


FIGURE 2



VERTICAL TAP

FIGURE 1

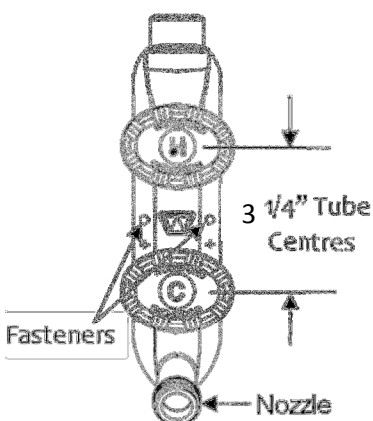
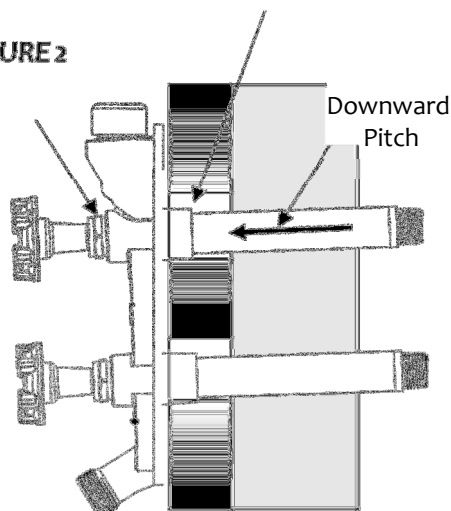


FIGURE 2



DIMENSIONS SHOWN IN IMPERIAL AS TAPS
MANUFACTURED IN USA

Wall taps must be properly installed and operated to ensure drainage. Incorrectly installed or operated taps may freeze and burst in freezing weather.

INSTALLATION REQUIREMENTS

- The inlet connection must be located in a heated area.
- The gap between the house and tap must be sealed to prevent air leaks.
- The tap must be installed with a slight downward pitch towards the nozzle.
- Adequate insulation is required around the tap wall and sill plate.

INSTALLATION INSTRUCTIONS

- 1) Before installation, flush supply line to remove any debris.
- 2) Drill two 1 1/8" diameter holes through the wall in the desired location and insert the tap from the outside. **Figure 1**
 - a. Horizontal Tap – drill the two holes on 5" centres.
 - b. Vertical Tap – drill the two holes on 3 1/4" centres.
- 3) Install the tap with nozzle pointing down. **Figure 2**
- 4) The water pipes must have a slight downward pitch for proper drainage. *Note – proper drain angle is built in to the tap head if mounted on a vertical surface.* **Figure 2**
- 5) Secure the tap to the wall using the appropriate fasteners installed through the holes in the flange. **Figure 1**
- 6) For a solder connection inlet, open the tap to full open position before soldering. Excessive heat can damage valve seat rubber or stainless steel seat and factory solder joint.

NOTE: The packing nut, located behind the handles, has been factory adjusted. If leakage should occur after installation or use, the packing nut can be tightened to stop the leak. **Figure 2**