

Anti-Burst Freezeproof Wall Tap

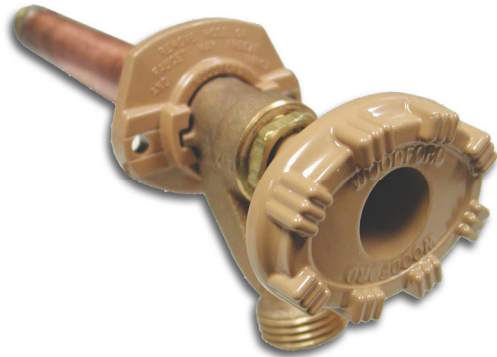


FIGURE 1

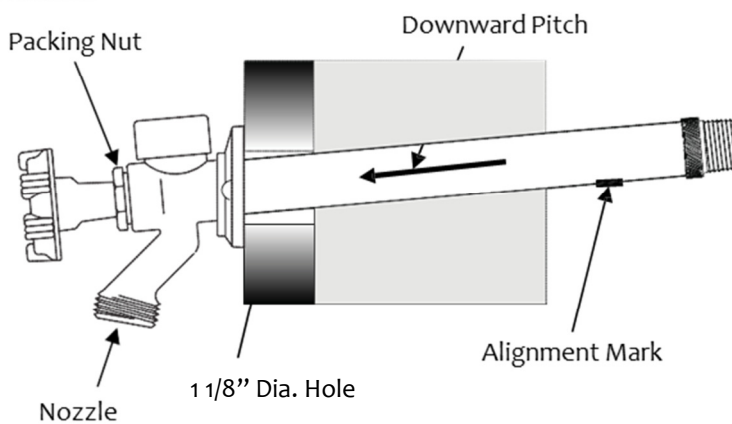
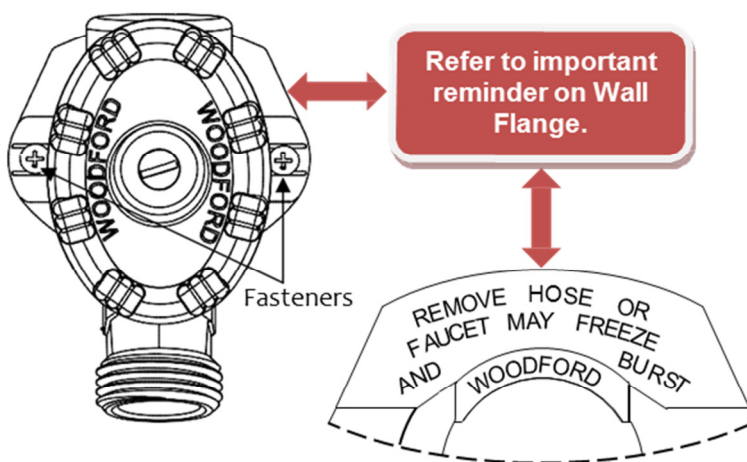


FIGURE 2



Wall taps must be properly installed and operated to ensure drainage. Incorrectly installed or operated taps may freeze and burst in freezing weather.

INSTALLATION REQUIREMENTS

- The inlet connection must be located in a heated area.
- The gap between the house and tap must be sealed to prevent air leaks.
- The tap must be installed with a slight downward pitch towards the nozzle.
- Adequate insulation is required around the tap wall and sill plate.

INSTALLATION INSTRUCTIONS

- 1) Before installation, flush supply line to remove any debris.
- 2) Drill a 1 1/8" diameter hole through the wall in the desired location and insert the tap from the outside. **Figure 1**
- 3) Install the tap with nozzle pointing down. **Figure 1**
- 4) From inside the building, the alignment mark on the pipe can be used to correctly align the tap when the mark is pointed down. **Figure 1**
- 5) The pipe must have a slight downward pitch for proper drainage. **Figure 1**
- 6) Secure the tap to the wall using the appropriate fasteners installed through the holes in the flange. Adjustable flange matches slope of siding. **Figure 2**
- 7) For a solder connection inlet, open the tap to full open position before soldering. Excessive heat can damage valve seat rubber or stainless steel seat and factory solder joint.

NOTE: The packing nut, located behind the handles, has been factory adjusted. If leakage should occur after installation or use, the packing nut can be tightened to stop the leak. **Figure 1**

DIMENSIONS SHOWN IN IMPERIAL AS TAPS
MANUFACTURED IN USA