

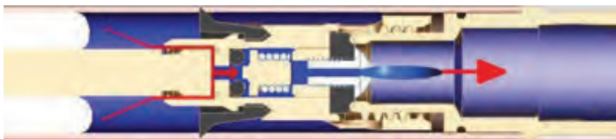
This unit offers NO anti-siphon protection.

This single tap contains an internal resetting pressure relief valves which prevents the tap casing tube from bursting in freezing conditions even if a hose is unintentionally left on.

The tap is intended for year round irrigation purposes for residential water supplies. It is not intended not for continuous use applications.

Features:

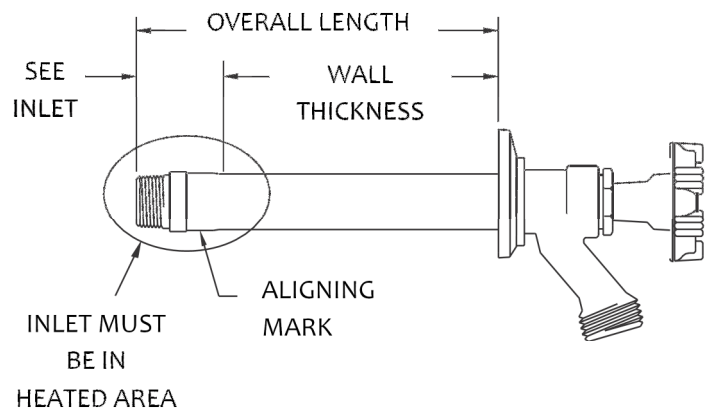
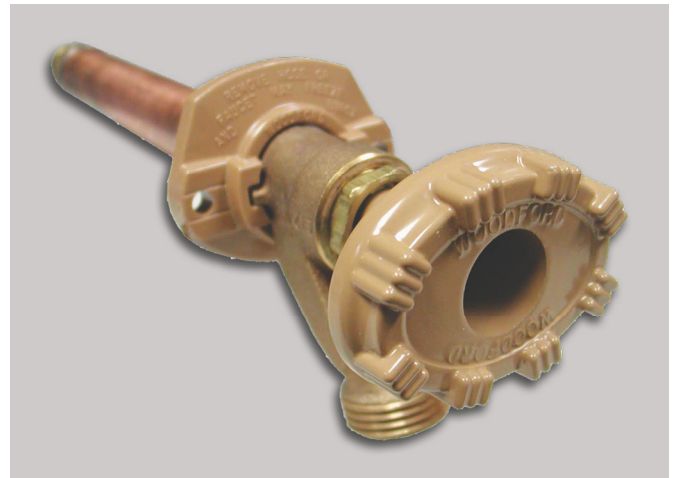
- Patented resetting pressure relief valve prevents the faucet casing pipe from bursting in freezing conditions even if a hose is unintentionally left on.



- EPDM packing to prevent leaking
- Oval, powder-coated, die cast aluminium handle
- Stainless steel seat – eliminates wire draw
- Full circle operating threads on valve body & retainer
- Standard “O” size seat washer
- Tee Key configuration available – special order (extra charge)
- No-lead solder
- Adjustable polycarbonate wall flange
- 3/4” BSP male hose thread nozzle

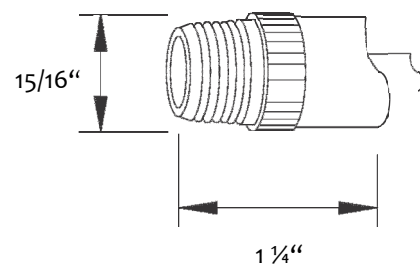
MAX PRESSURE – 125 p.s.i.

MAX TEMPERATURE – 49°C (120° F)



INLET DIMENSIONS

1/2” Male BSP Thread



DIMENSIONS SHOWN IN IMPERIAL AS TAP MANUFACTURED IN USA

WALL THICKNESS	(Taps are ordered by wall thickness, not overall length)										
Inches	4	6	8	10	12	14	16	18	20	22	24